

CD

Pitched roof fans

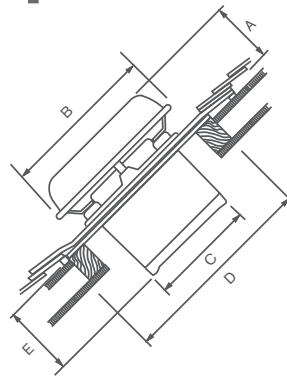
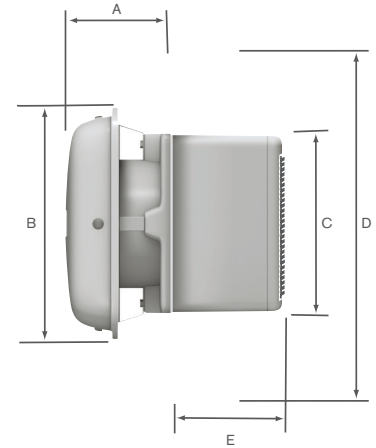
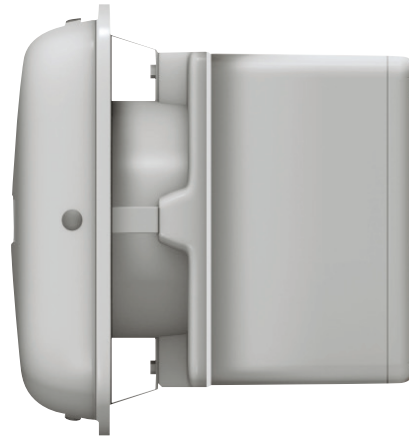


Pitched Roof Fan Kit Specification Components - For Full Kit

Size	Fan	Price ex. VAT	Window Spacer	Price ex. VAT	Weather Terminal	Price ex. VAT	Wall Fixing Plate	Price ex. VAT
6" Pitched Roof Kit	CD6	£350.62	WS6	£38.57	WT6	£212.30	WFP6	£52.27
9" Pitched Roof Kit	CD9	£382.53	WS9	£49.02	WT9	£227.86	WFP9	£64.07
12" Pitched Roof	CD12	£414.95	WS12	£60.26	WT12	£257.59	WFP12	£78.24

Features and benefits

- Reversible supply or extract, variable speed operation
- Thermo-actuated backdraught shutters ensures silent operation and positive closure when fan is off
- Choice of controllers, remote and integral sensors
- 6", 9" and 12" models available



	6"	9"	12"
A	170	180	185
B	360	425	506
C	272	342	420
D	400	475	550
E	160	158	167
Trimmed	320	385	450
Opening	x	x	x
Size	320	385	450

Weathering supplied by others.

Models, control options and key data

*Sound pressure level measured @ 3 metres **See components table above Note: figures are extract only

Product code		Performance to BS 848 Pt1 in free air (m³/h)		Sound pressure level dB(A)*		Consumption (W)	
		Boost	Eco	Boost	Eco	Boost	Eco
CD6	6" commercial fan - installed within a pitched roof kit specification**	394	202	47	30	38	20
CD9	9" commercial fan - installed within a pitched roof kit specification**	700	597	48	44	50	37
CD12	12" commercial fan - installed within a pitched roof kit specification**	1149	775	48	32	100	70

FOR SINGLE PRICE FAN PLEASE REFER TO PAGE 30

Physical specification for complete CD pitched roof fan kit

All measurements in millimetres unless otherwise indicated

Weight: 4.0kg
8.9kg
11.8kg

Materials: ABS plastic

Ancillaries for CD

For details of remote or integral sensor options/ switches see page 39. For full kit accessories WS6, WS9, WS12, WT6, WT9, WT12, WF6, WF9, WF12, WFP6, WFP9, WFP12 see page 40.

Installation

Wiring: Must comply with IEE Regulations

Cable: Ø 1mm² max or min

Fuse: 3 amp (when fan is supplied from a 6A lighting circuit no local fuse is required)

Electrical specification: 230V-50Hz Class I

Consumption: Boost = 38W, Eco = 20W
Boost = 50W, Eco = 37W
Boost = 100W, Eco = 70W

Performance

