

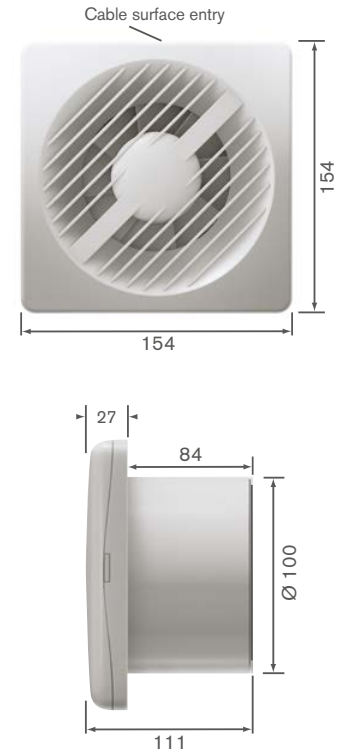
Select 100

Axial flow bathroom fan



Features and benefits

- Classic ϕ 100mm axial flow fan that complies with current Building Regulations – widely specified in new houses
- ϕ 100mm axial flow fans suitable for wall or window application. Ceiling mounting with discharge via external wall or soffit incorporating one 90° bend. Not suitable for vertical duct installations via a roof tile vent or similar
- Wide range of control options including SELV (Safety Extra Low Voltage) for additional safety protection in wet rooms
- Built in guide vanes to improve installed airflow performance
- Includes anti-backdraught shutters to help reduce heat loss when not in operation (remove for ceiling applications)
- Clever spigot strengthener design helps to prevent crushing when attaching flexible ducting
- Axial impellor design has flat surfaces that do not clog easily reducing the impact any dirt or other airborne particles have on fan performance



Models, control options and key data

*Sound pressure level measured @ 3 metres

| Product code | Control operation | Voltage | IP | Performance | | Watts | dB(A)* | Price ex. VAT (£) |
|--------------|--|---------|----|-------------------|-----|-------|--------|-------------------|
| | | | | m ³ /h | l/s | | | |
| AXS100 | Single speed | 230 | X4 | 72 | 20 | 13.2 | 33 | £26.88 |
| AXS100PC | Single speed with pullcord | 230 | X4 | 72 | 20 | 13.2 | 33 | £28.74 |
| AXS100T | Single speed with overrun timer & pullcord | 230 | X4 | 72 | 20 | 13.6 | 33 | £40.10 |
| AXS100TR | Single speed with overrun timer & remote operation | 230 | X4 | 72 | 20 | 13.6 | 33 | £40.10 |
| AXS100HT | Single speed with humidistat/timer & pullcord | 230 | X4 | 72 | 20 | 16.8 | 33 | £72.82 |
| AXS100SVIT | Single speed SELV with overrun timer & pullcord | 12 | X7 | 72 | 20 | 17.8 | 33 | £90.12 |
| AXS100SVIHT | Single speed SELV with humidistat/timer & pullcord | 12 | X7 | 72 | 20 | 17.2 | 33 | £112.33 |

Physical specification

All measurements in millimetres unless otherwise indicated

Weight: 0.54kg

Materials: White satin finish
ABS Plastic

Ancillaries for Select 100

- ED1 Easyfix page 48 • Flexiduct page 48
- FF100 Fastfix page 48 • GG42 page 49
- EG1 grilles page 48

Installation

Wiring: Must comply with IEE Regulations

Cable: Fixed flat: ϕ 1.5mm² max
Circular: ϕ 0.75mm² max

Fuse: 3 amp normally required (when fan is supplied from a 6A lighting circuit no local fuse is required)

Exhaust: ϕ 100mm

Electrical specification: 230V ~ 50Hz Class II

Consumption: 14W (AXS100/PC/T/TR)
17W (AXS100HT)
18W (AXS100SVIT/SVIHT)

Performance

