

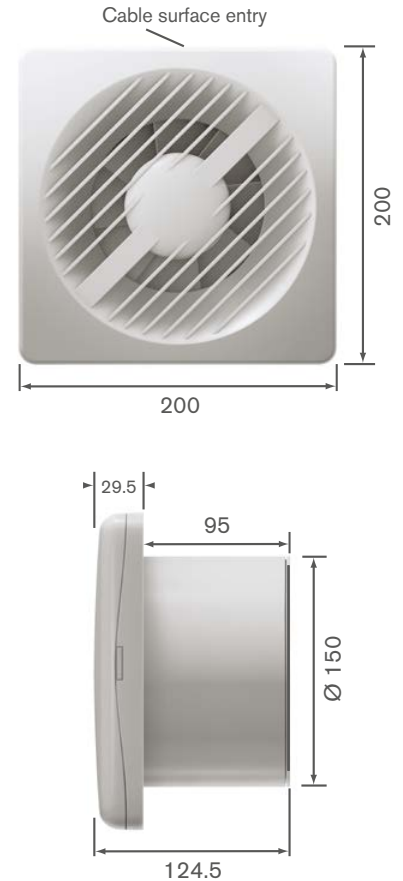
Select 150

Axial flow kitchen fan



Features and benefits

- Suitable for wall installation only. Built in guide vanes to improve installed airflow performance
- ø150mm axial impellor design has flat surfaces that do not clog easily reducing impact any dirt or particles have on fan performance
- Includes anti-backdraught shutters to help reduce heat loss when not in operation
- Clever spigot strengtheners to prevent crushing when attaching flexible ducting
- Classic styling for all modern interiors and easy to wipe clean as necessary



Models, control options and key data

*Sound pressure level measured @ 3 metres

Product code	Control operation	Voltage	IP	Performance				Sound pressure dB(A)*	Price ex. VAT (£)
				Normal		Slow			
				m ³ /h	l/s	m ³ /h	l/s		
AXSK	Single speed with pullcord	230	X2	250	70	-	-	43	£54.51
AXSKMA	Dual speed with humidistat/timer & pullcord	230	X2	250	70	133	37	43	£133.21

Physical specification

All measurements in millimetres unless otherwise indicated

Weight: 0.99kg

Materials: White satin finish
ABS Plastic

Ancillaries for Select 150
EG2 page 49 • ED150 Easyfix page 48
▪ Flexiduct page 48

Installation

Wiring: Must comply with IEE Regulations

Cable: Ø 1mm² max

Fuse: 3 amp normally required (when fan is supplied from a 6A lighting circuit no local fuse is required)

Exhaust: Ø 150mm

Electrical specification: 230V ~ 50Hz Class II

Consumption: 29W
15W – AXSKMA (slow)

Performance

