

# CD

## Window fans

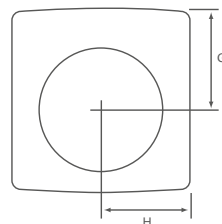


### Window Kit Specification Components - For Full Kit

Size	Fan	Window Kit
6" Window Kit	CD6	EW6
9" Window Kit	CD9	EW9
12" Window Kit	CD12	EW12

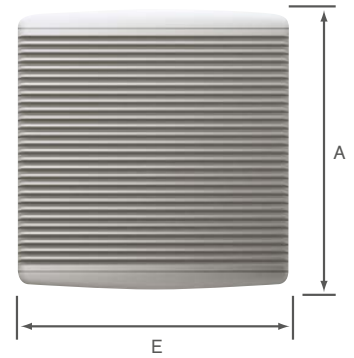
### Features and benefits

- Self-adhesive external plate allows easy one person fix on-site
- Thermo-actuated backdraught shutters ensure silent operation and positive closure when fan is off
- Reversible supply or extract, variable speed operation
- Choice of controllers, remote and integral sensors
- Suitable for glazing thicknesses of up to 32mm and wall/panels of 360mm
- Low noise levels
- 6", 9" and 12" models available

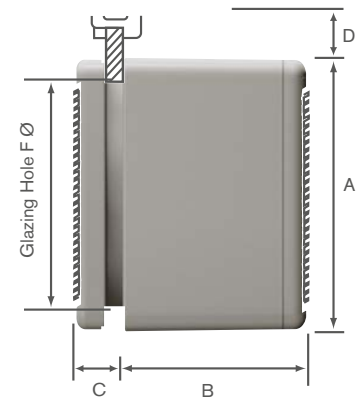


	6"	9"	12"
A	272	342	420
B	160	158	167
C	37	37	41
D min	50	50	50
E	269	342	420
F Ø	184	260	337
G	138	175	215
H	135	171	207

Front



Side



### Models, control options and key data

\*Sound pressure level measured @ 3 metres \*\*See components table above Note: figures are extract only

Product code		Performance to BS 848 Pt1 in free air (m <sup>3</sup> /h)		Sound pressure level dB(A)*		Consumption (W)	
		Boost	Eco	Boost	Eco	Boost	Eco
CD6	6" commercial fan - installed within a window kit specification**	419	227	45	28	38	20
CD9	9" commercial fan - installed within a window kit specification**	830	724	50	43	50	37
CD12	12" commercial fan - installed within a window kit specification**	1690	1228	51	44	100	70

FOR SINGLE PRICE FAN PLEASE REFER TO PAGE 30

### Physical specification for complete CD window fan kit

All measurements in millimetres unless otherwise indicated

**Weight:** 3.6kg  
5.2kg  
7.4kg

**Materials:** ABS plastic

#### Ancillaries for CD

For details of remote or integral sensor options/ switches see page 39. For full kit accessories EW6, EW9, EW12 see page 40

### Installation

**Wiring:** Must comply with IEE Regulations

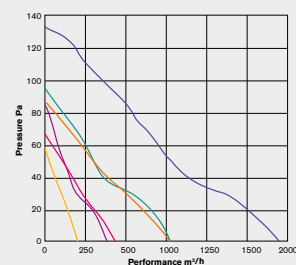
**Cable:** Ø 1mm<sup>2</sup> max or min

**Fuse:** 3 amp (when fan is supplied from a 6A lighting circuit no local fuse is required)

**Electrical specification:** 230V-50Hz Class I

**Consumption:** Boost = 38W, Eco = 20W  
Boost = 50W, Eco = 37W  
Boost = 100W, Eco = 70W

### Performance



**Key**  
CD6 Extract  
CD6 Supply  
CD9 Extract  
CD9 Supply  
CD12 Extract  
CD12 Supply