

CD

Ceiling fans

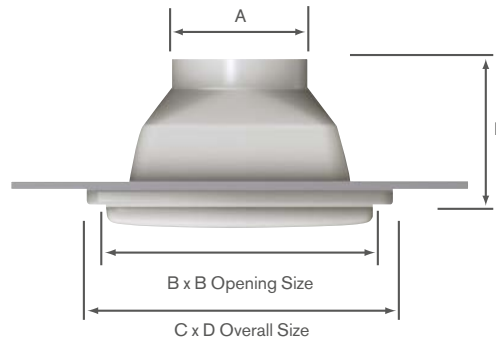


Ceiling Fan Kit Specification Components - For Full Kit

Size	Fan	Ceiling Adaptor Kit
6" Ceiling Kit	CD6	CK6
9" Ceiling Kit	CD9	CK9
12" Ceiling Kit	CD12	CK12

Features and benefits

- Designed for ceiling installation
- Picture frame adaptor for retro fit installation
- Thermo-actuated backdraught shutters ensures silent operation and positive closure when fan is off
- Choice of controllers, remote and integral sensors
- Fan can be disconnected with ease for replacement
- 6", 9" and 12" models available



	6"	9"	12"
A	200	250	350
B	270	340	430
C	300	405	495
D	335	425	510
E	215	215	235

Models, control options and key data

*Sound pressure level measured @ 3 metres **See components table above Note: figures are extract only

Product code		Performance to BS 848 Pt1 in free air (m³/h)		Sound pressure level dB(A)*		Consumption (W)	
		Boost	Eco	Boost	Eco	Boost	Eco
CD6	6" commercial fan - installed within a ceiling kit specification**	470	222	47	30	38	20
CD9	9" commercial fan - installed within a ceiling kit specification**	933	804	48	44	50	37
CD12	12" commercial fan - installed within a ceiling kit specification**	1836	1395	50	43	100	70

FOR SINGLE PRICE FAN PLEASE REFER TO PAGE 30

Physical specification for complete CD ceiling fan kit

All measurements in millimetres unless otherwise indicated

Weight: 2.6kg
3.7kg
5.2kg

Materials: ABS plastic

Ancillaries for CD

For details of remote or integral sensor options/switches see page 39. CK6, CK9, CK12 see page 40.

Installation

Wiring: Must comply with IEE Regulations

Cable: Ø 1mm² max or min

Fuse: 3 amp (when fan is supplied from a 6A lighting circuit no local fuse is required)

Electrical specification: 230V-50Hz Class I

Consumption: Boost = 38W, Eco = 20W
Boost = 50W, Eco = 37W
Boost = 100W, Eco = 70W

Performance

