

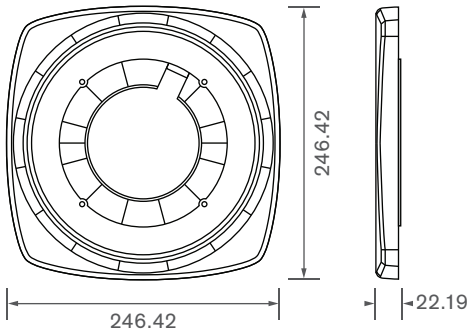
# PFACV2

Picture frame adaptor / decorative cover for Unity

## Physical specification

All measurements in millimetres

**Materials:** White satin finish  
ABS Plastic



Front

Side

## Features and benefits

Designed to provide a perfect aesthetic finish when Unity is used as a replacement product in existing 150mm wall installations.

## Installation

**Suitable for:**  
**Continuous Extract Fans:**  
Unity

