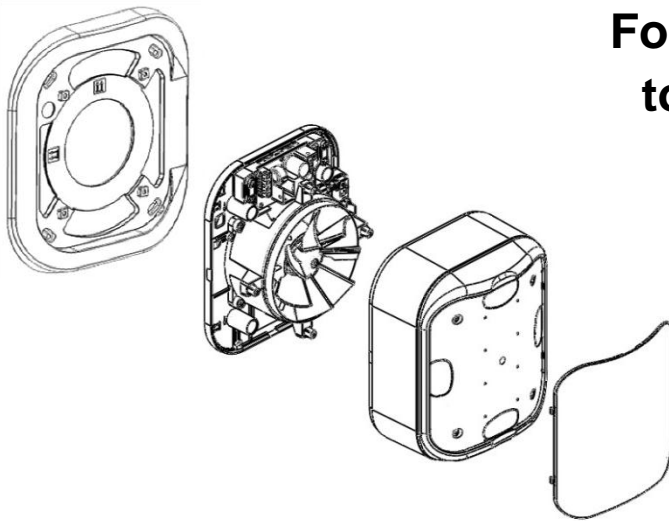


Installation Instructions

PFAOF100 Picture Frame Adaptor



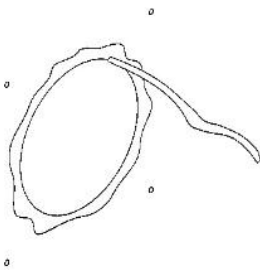
PFAOF100

Omnique

For fitting the Omnique Fan to 150mm duct openings

To convert a 150mm hole to 100mm and provide thermal insulation when replacing an existing 150mm fan

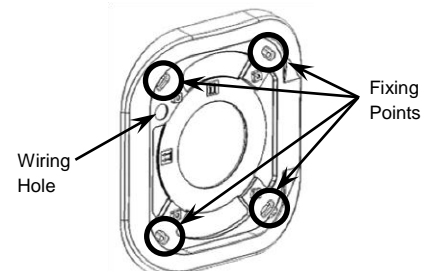
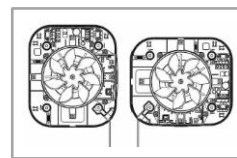
1



Safely isolate old fan from electrical supply, remove and discard responsibly.

Prepare opening and surface to take the Omnique fan.

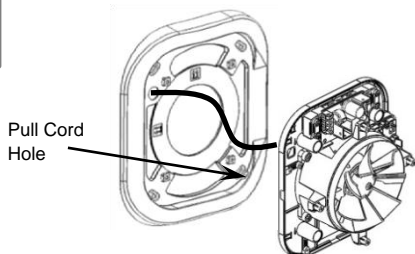
2



Decide on the orientation to best suit installation position (ensure orientation arrows on the PFA are facing upwards).

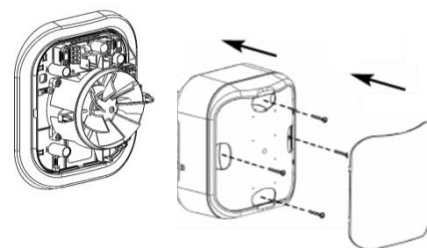
Pull wiring through designated hole and fix PFA in place with the "long screws" provided and align.

3



Remove Pull Cord toggle and thread through the PFA, reattach toggle. Fix the back plate of the fan to the PFA with the four "short screws" provided in the PFA's loose item set and wire as per the fan's instructions.

4



Position grille assembly back onto back plate and secure with 4 fixing screws (provided with the fan), ensuring they are driven home. Clip decorative insert in one side and then flex cover slightly to engage opposing clips.

Greenwood Air Management Ltd

Greenwood House, Brookside Avenue, Rustington, West Sussex, BN16 3LF

Tel: +44 (0) 1903 771021

Fax: +44 (0) 1903 782398

Web: www.greenwood.co.uk

Email: info@greenwood.co.uk