

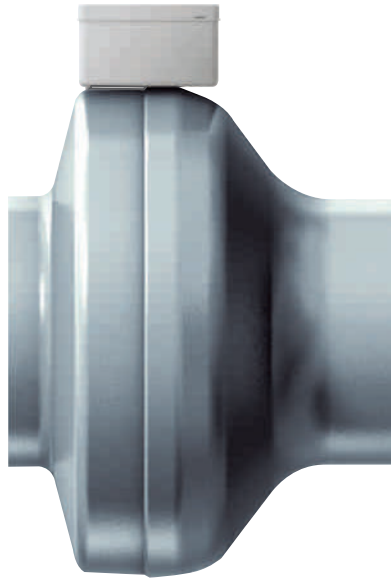
SD

Superduct centrifugal induct fans

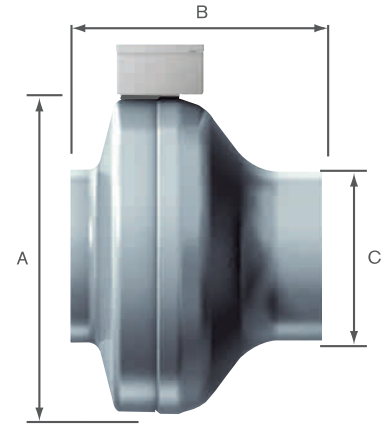


Features and benefits

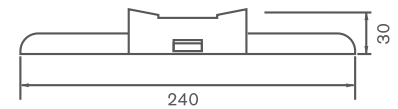
- High performance straight-flow centrifugal induct fans
- Superduct fans complement both Greenwood Airvac domestic fan ranges and commercial fan ranges
- Range of four Superduct fans available to suit all design requirements
- Designed for high pressure and long ducting systems
- SDC controllers and TAR overrun timer control option
- Ultra quiet operation and easy installation
- Constructed from galvanised steel to withstand high running temperatures
- Moisture proof units, IP44 rated



Side



Fixing brackets



	SD100	SD150	SD200	SD250
A Ø	242	272	344	344
B	170	170	204	200
C Ø	100	150	200	250

Models, control options and key data

*Sound pressure level measured @ 3 metres Note: figures are extract only

Product code	Performance to BS 848 Pt1 in free air		Sound pressure level dB(A)*	Consumption (W)	Amps	Price ex. VAT (£)
	(m³/h)	(l/s)				
SD100	298	83	44	41	0.18	£143.52
SD150	540	150	52	71	0.31	£163.40
SD200	1044	290	58	115	0.50	£205.14
SD250	1260	350	60	185	0.81	£286.99
SDC1	-	-	-	-	1	£84.59
SDC2	-	-	-	-	2	£86.74

Physical specification

All measurements in millimetres unless otherwise indicated

Weight: SD100 = 2.5kg, SD150 = 2.8kg
SD200 = 4.1kg, SD250 = 4.9kg

Materials: Galvanised steel

Ancillaries for SD

RC4 remote switch page 39 ■ HHR remote humidity sensor page 39 ■ AQR remote air quality sensor page 39 ■ PIRR remote PIR sensor page 39 ■ THR remote temperature sensor page 39 ■ TAR remote overrun timer page 39

Installation

Wiring: Must comply with IEE Regulations

Cable: Ø 1mm² max or min

Fuse: 3 amp (when fan is supplied from a 6A lighting circuit no local fuse is required)

Electrical specification: 230V-50Hz Class I

Consumption: SD100 = 41W
SD150 = 71W
SD200 = 115W
SD250 = 85W

Performance

